

## Turning Inserts for Mini Vanity Accessories

Instructions for turning the round insert top for mini pill boxes, compact mirrors, vanity mirrors, desk magnifier, etc.

### Required Accessories

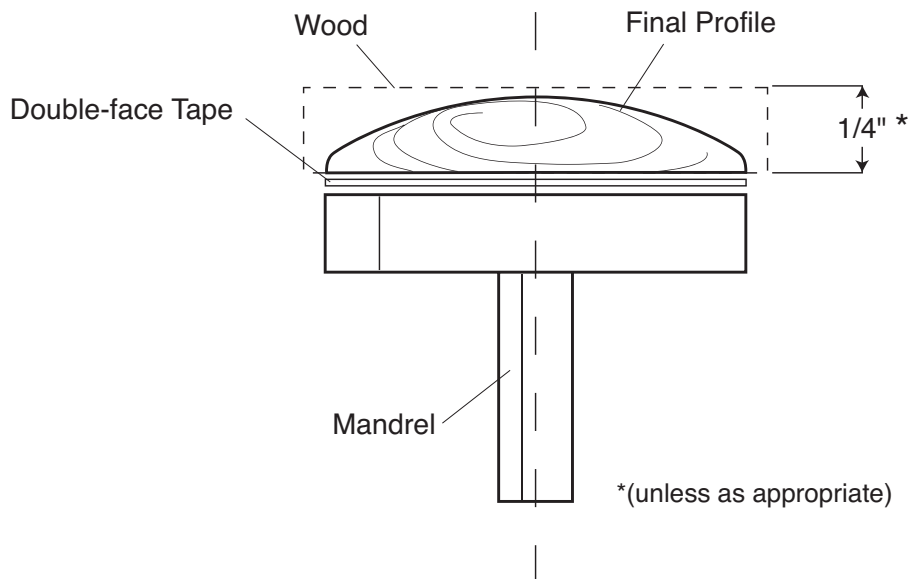
- Drill chuck mandrel (match to the specific project)
- Drill chuck (minimum 3/8" cap)
- Double-sided tape
- 2-part epoxy glue or insta-cure (cyanoacrylate) glue

### Preparing the Blank

- Prepare a wood blank 1/4" thick and wide enough to apply onto the project of your choice.
- Lay the appropriate mandrel on the blank and draw a circle on the wood
- Using a band saw or a scroll saw, cut out the circle to make a slightly oversized round blank.
- Using double-sided tape, adhere the round blank to the surface of the mandrel. Cut off any excess tape.
- Insert this assembly into a vise and press together, firmly securing the wood to the face of the mandrel.
- Insert the mandrel into a drill chuck that is mounted to the headstock of your lathe.

### Turning the Button

- Start your lathe. Use a spindle gouge to round the edges of the blank.
- Use a skew chisel for final rounding and shaping of the button (**See Diagram A**).
- Finish by using graduated sandpaper grits followed by a suitable friction polish.
- Use a knife or any sharp tool to separate the wood from the mandrel. Remove slowly.
- Use a few drops of glue to join the flat bottom of the button insert to the flat area of the vanity. Let dry.



\*(unless as appropriate)

