

## PEPPERMILL KIT

### Instructions

#### Kit Features

- Ceramic Components
- Adjustable Grind
- Can be made in 3 different sizes: 6", 9", or 12"

#### Required Blanks: (see Diagram B)

- Base Blank: 2-1/2" Min Square x 4 3/8", 7 1/2", or 10 1/2" (adjust to fit)  
Be sure that both surfaces are cut to 90°
- Head Blank: 2-1/2" Min Square x 2-1/16" Long

#### Required Accessories & Materials

- 1-1/2" Forstner Bit (DB1-1/2FB)
- 1-1/16" Forstner Bit (FB1-116)
- 9" Forstner Bit Extension (FEX9)
- 3 Jaw Drill Chuck (TM32)
- 60° Live Center (LCENTLT1 or LCENTLT2)
- 1" Jam Chuck (CJAM1)
- 7mm Drill Bit (DB7MM)
- Sanding and finishing supplies

#### BLANK PREPARATION

**Base Blank:** Mark the center on both ends of the blank on one end, drill a 1-1/2" diameter hole 1/2" deep. Follow with a 1 1/16" bit. Use the point of the previous hole as a guide. For better results (but not necessary), bore the hole from both ends of the blank.

**Head Blank:** Locate and mark the center of the blank. Bore a 7mm hole through the blank.

#### TURNING THE PEPPERMILL

**Head Blank:** Mount the blank on a lathe between centers. **Turn** a tenon 1/2" deep 1-1/16" in diameter to fit into the hole in the base blank.

**Set up** as shown in Diagram C turning both ends at once. Insert the tenon into the opening at the upper end of the base blank. Mount the 3 jaw drill chuck into the head stock of the lathe. Insert the jam chuck and lock into the jaws. Mount the wood assembly, recessed end in first over the jam chuck. Bring the tail stock forward with the center into the hole. Lock in place. Use a wrench to tighten the nut to expand the jam chuck in the hole. Tighten to make sure that it is safe to turn. **Turn** the blank to the preferred shape. **Sand** with abrasives and **finish** with your choice of food-safe polish.

#### ASSEMBLY

(Line up finished parts according to Diagram D)

1. Mount the drive disc on the head.
2. Insert the grinder support in the bottom of the base.
3. Place the drive shaft with the grinder housing and grinder up through the base.
4. Secure the grinder retainer and 2 mounting screws.
5. Loosen the grinder knob for a courser grind.

Diagram A - Parts

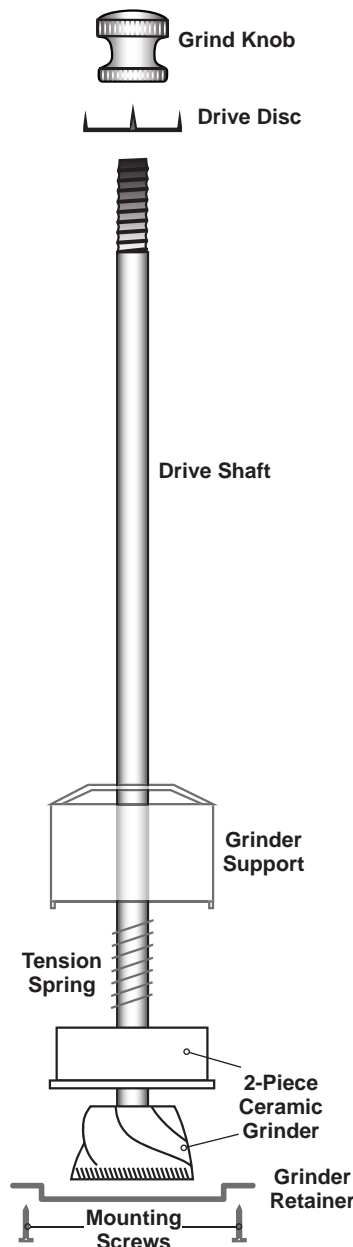
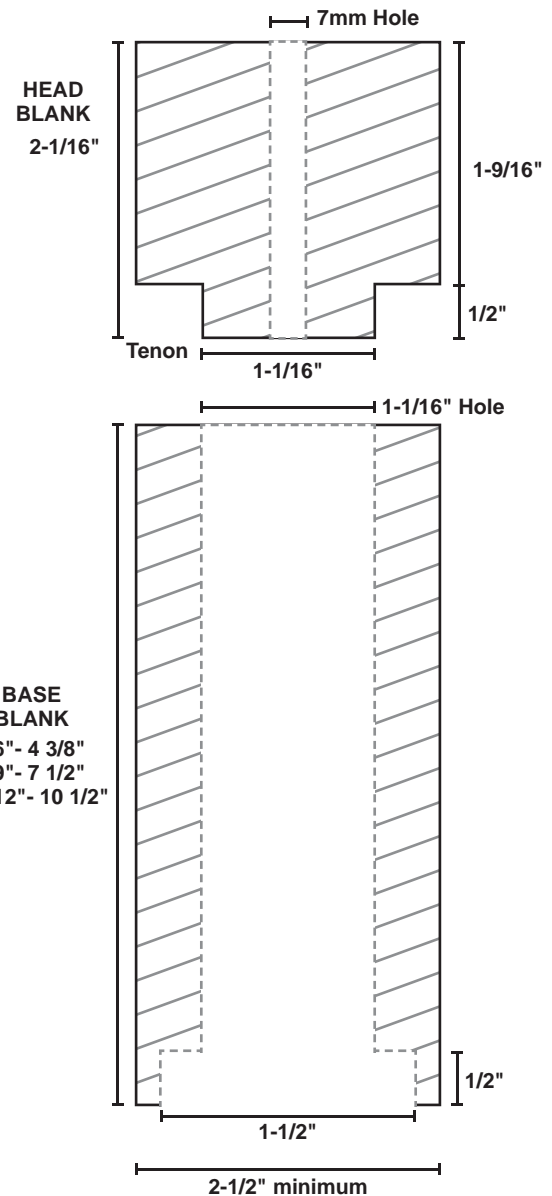
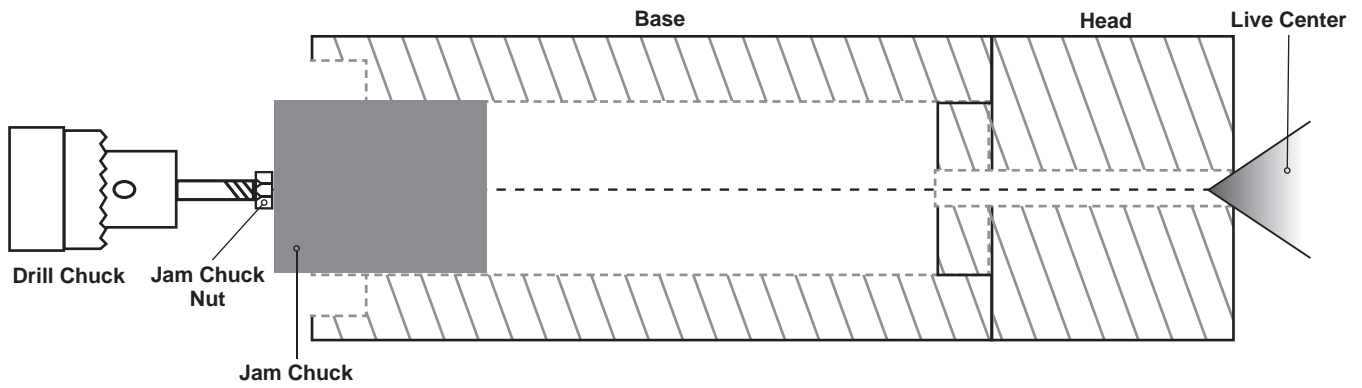


Diagram B  
Blank Dimensions



**Diagram C - Turning the Blanks**



**Diagram D - Assembly**

