

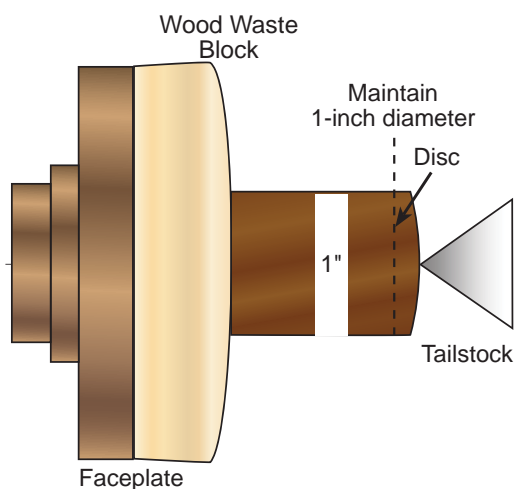
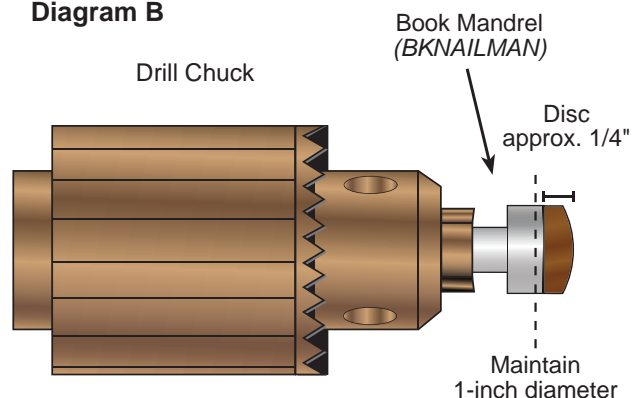
Instructions

Kit Features

- Fun, simple way to utilize scraps of wood or acrylic
- Quick project to make for gifts

Required Accessories & Materials

- Glue (We recommend the thick “gel” CA glue—GTHICK2)
- Sanding and finishing supplies
- Mandrel for Nail Clipper/Bottle Opener (PKNAILMAN)

Diagram A

Blank Preparation and Turning
Diagram B


While a wood turning chuck will make turning the nail clipper/bottle opener kits a breeze, you don't have to have one. Here are two alternate methods for making this kit that are fast and easy!

METHOD 1 (Diagram A): USING A FACEPLATE

Use the faceplate that came with your lathe. When using your faceplate, attach a “waste block” of wood by screwing it onto the faceplate and then glue your wood or acrylic blank onto the wood block with CA thick glue. We recommend using a standard stopper blank or scrap material cut so it is roughly 1.25" square. Slide the tailstock up to the end of the blank. Turn the blank down to a finished diameter of approximately 1 inch. After the blank is round slide the tailstock back. Now dome over the end of the disc.

Sand lightly with fine-grit sandpaper and Micro Mesh. Once sanded to the desired level, apply a small amount of polish or finish of choice to complete the disc. Using a parting tool, gently part off the end of the blank to remove the finished disc (part gently so you don't pull the blank from the waste block). You may also want to slightly undercut the disc which will help it sit nicely on the bookmark.

Once you get the rhythm of turning, polishing, and parting off these little discs, you won't believe how quickly you can produce the nail clipper/bottle opener kits!

METHOD 2 (Diagram B): USING THE NAIL CLIPPER/BOTTLE OPENER MANDREL

You can use WoodTurningz PKNAILMAN with a drill chuck to turn individual slices of wood or acrylic into bookmarks. Slice your material approximately ¼" thick and round off the corners using a belt sander or other safe method. You can also round your material before slicing for greater ease. Use a strong double sided tape to attach the piece to the mandrel. Round your piece to mandrel diameter and then, dome over the disc to a pleasing shape.

Sand lightly with fine-grit sandpaper. Once sanded to the desired level, apply a small amount of polish or finish of choice to complete the disc. You have some leeway in how you “dome” the blank's end.

**Diagram C
Clipper Assembly**

ASSEMBLY (Diagram C)

Using fine-grit sandpaper, carefully rough up the plated surface on the round area of your bookmark where you will glue on the disc. Glue the disc in place using a small amount of thick CA glue or Epoxy glue.

