

Combo Salt Shaker & Pepper Grinder Kit

Kit Features:

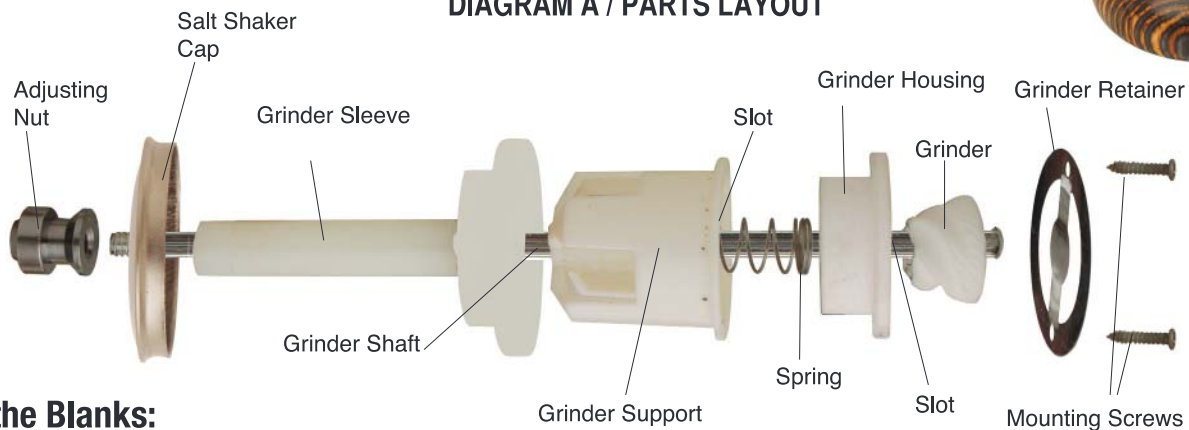
- Overall height: 6-3/4"
- Convenient Salt & Pepper dispenser in one piece
- Easy to refill both Salt & Pepper
- Ceramic Grinder Mechanism

Required Accessories:

- 1-1/2" Forstner Bit: #FB150
- 1-1/16" Forstner Bit: FB1-116
- 1" Jam Chuck: #CJAM1
- Forstner Bit Extender: #FEX (Optional)
- Base Blank: 2-1/2" Min x 4" L (diameter can be as large as 3")
- Head Blank: 2-1/2" Min x 2" L (diameter can be as large as 3")



DIAGRAM A / PARTS LAYOUT



Boring the Blanks:

- Base:**
- Mark the center on both ends of the blank.
 - Drill a 1-1/2" hole on each end, 3/8" deep at the base and 1/4" deep on the upper end.
 - Drill a 1-1/16" hole through the entire blank, (bit extender is optional for this process) or drill half-way through and turn around and drill through from the opposite end.
- Note:** If you drill the center hole from both ends to meet in the middle, be sure the ends of the blanks are 90° square to obtain the best alignment of holes.

Head:

- Mark the center on both ends of the blank.
- Drill a 1-1/2" hole, 1/4" deep on the top end of the blank. Check to make sure the salt plate fits into this recess.
- Follow with a with a 1-1/16" diameter hole to the end.

DIAGRAM B / BORING THE BLANKS

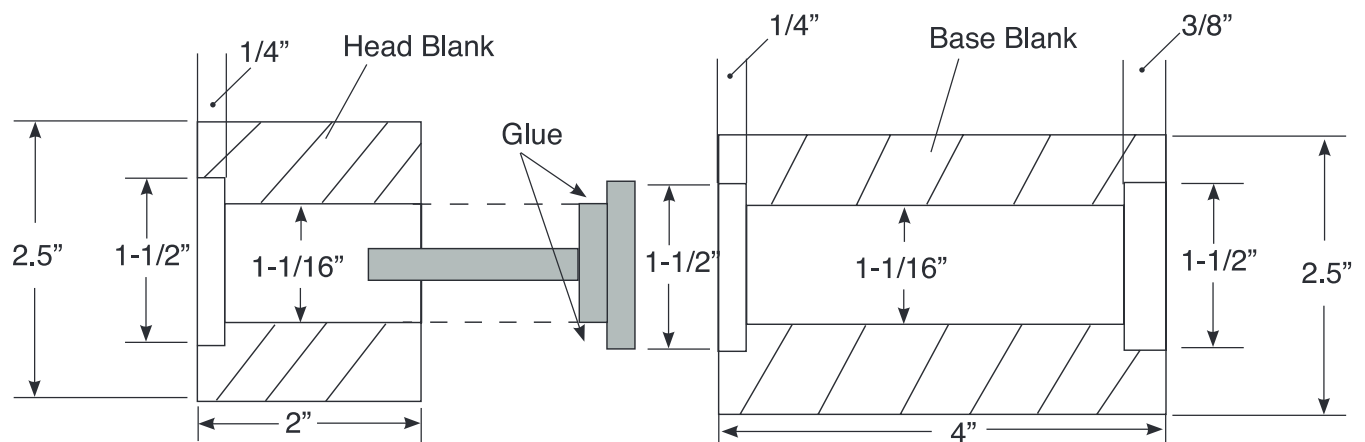


DIAGRAM C / TURNING THE HEAD BLANK

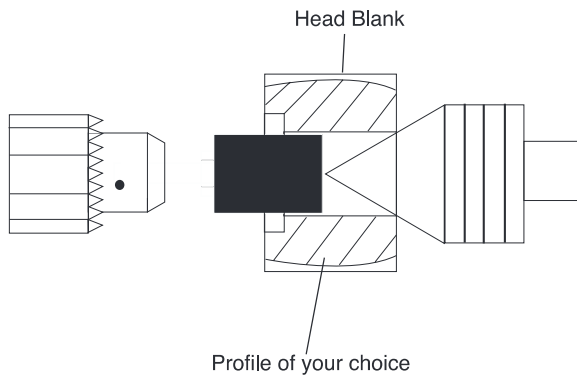
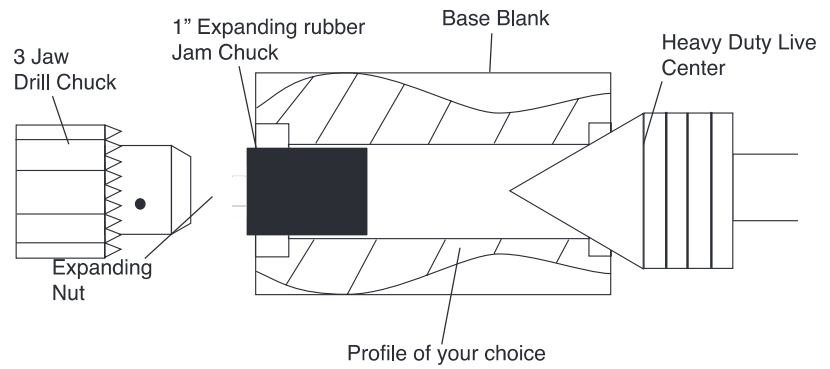


DIAGRAM D / TURNING THE BASE BLANK

**Turning the Blanks****Head Blank:**

- Use the same Jam Chuck as above.
- Mount the head blank on the Jam Chuck (see Diagram C) and expand it in the hole.
- Bring the tailstock center into the hole at the opposite end and lock in place.
- Turn the head blank into a profile that is consistent with the base blank.
- Sand and finish the wood.

Base Blank:

- Mount the base blank on a 1" Jam Chuck (see Diagram D) and expand it in the hole.
- Bring the tailstock center into the hole at the opposite end and lock in place.
- Turn the base blank to the profile of your choice.
- Sand and finish the wood.

Assembly

- Layout parts according to diagram A.
- Insert the grinder components over the grinder shaft, creating a grinder assembly.
- Insert the assembly through the bottom of the base blank and push in.
- Align the slots on the recess, affix the grinder retainer and mark the holes for drilling.
- Drill small pilot holes (1/16") in the recess and screw in the mounting screws.
- Glue the grinder sleeve into the bottom of the head blank.
- When the glue is dry, insert the head blank over the extended shaft, into the recess at the base.
- Affix the salt shaker cap into the hole at the head blank.
- Follow with the adjusting nut.

To fill with pepper:

Unscrew the adjusting nut, remove the head blank and fill the container with pepper corns. Replace the head piece. Use the adjusting nut to set the grind.

To fill with salt:

Remove the adjusting nut and the salt shaker cap. Fill with granulated salt. Replace parts.

