

MESA PEN & STYLUS Instructions

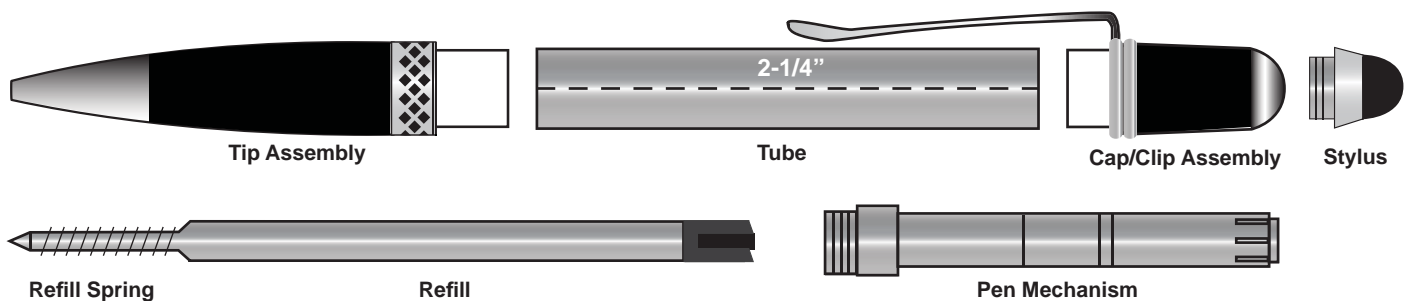
Kit Features

- Smooth twist mechanism
- Parker™ style refills (RE-PARK)
- Overall length: 5-1/4"

Required Accessories & Materials

- 7mm mandrel
- 2-pc. Mesa bushing set (PKMESABU)
- Drill bit – 27/64" (DB27/64)
- Universal trimming kit (BTRIMKIT9)
- Glue (We recommend the thick "gel" CA glue—GTHICK2)
- Sanding and finishing supplies

Diagram A - Parts and Assembly



BLANK PREPARATION

The Mesa pen/stylus has a single tube measuring 2-1/4". **Cut** your blank approximately 1/16" longer than the tube to allow for squaring with the barrel trimmer. Use a medium drill speed to **drill** the blank. Raise the bit from the blank every 1/4" to 1/2" to allow the chips to clear from the flutes of the drill bit. Don't force the drill bit; use an even pressure and let the bit do the work. After drilling the blank, **sand** the exterior of the brass tube to roughen its surface and use CA **glue** to glue the tube inside the blank. Sand or barrel trim to **square** the ends of the blank.

TURNING THE PEN OR Stylus

Set up the mandrel as shown in Diagram C. The Mesa pen's upper and lower bushings both have an outside diameter of .470" (see Diagram B). **Turn** the pen blank to the bushing diameter at the ends. **Sand** with abrasives and **finish** with your choice of polish.

ASSEMBLY

(Line up finished parts according to Diagram A)
To avoid damage to components when assembling, use a vise with covered jaws or one of WoodTurningz' pen presses.

1. Slide the spring onto the refill and place inside the tip assembly. Screw the pen mechanism into the tip assembly.
2. Press clip assembly into the upper end of the barrel.
3. Push pen barrel with clip/cap assembly onto completed lower assembly. (If turning a stylus, screw stylus tip into end.)
4. The pen is now ready to operate; twist clockwise to open.
5. Note to Stylus users: cap unthreads to change the refill.

Diagram B - Bushings

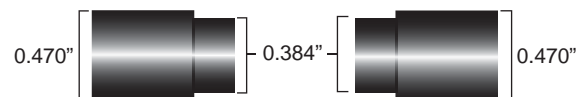
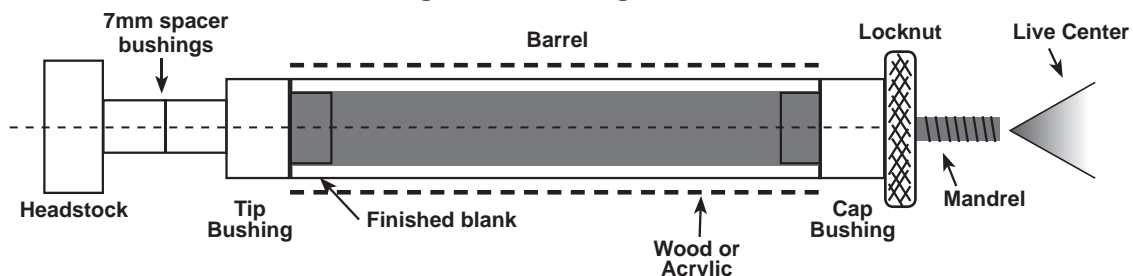


Diagram C - Turning the Pen



MESA CLICK PEN Instructions

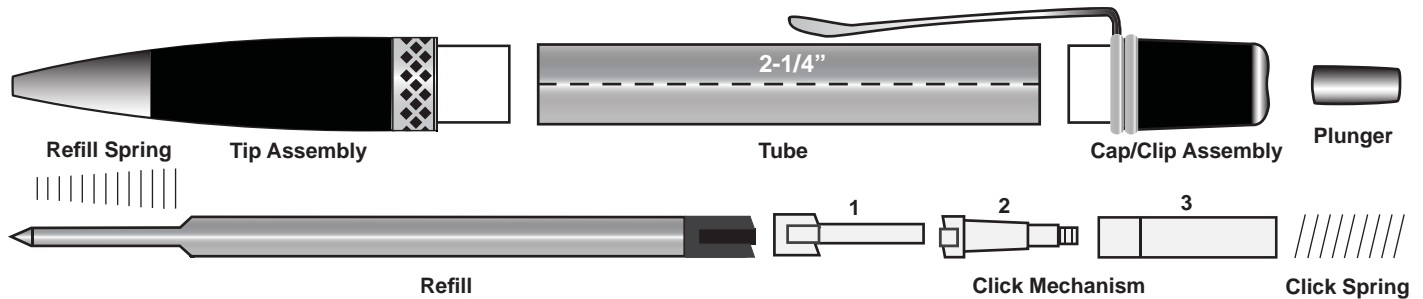
Kit Features

- Click mechanism
- Parker™ style refills (RE-PARK)
- Overall length: 5-1/4"

Required Accessories & Materials

- 7mm mandrel
- 2-pc. Mesa bushing set (PKMESABU)
- Drill bit – 27/64" (DB27/64)
- Universal trimming kit (BTRIMKIT9)
- Glue (We recommend the thick "gel" CA glue—GTHICK2)
- Sanding and finishing supplies

Diagram A - Parts and Assembly



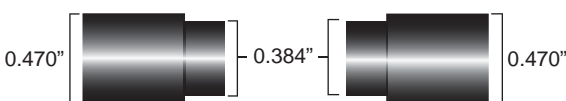
BLANK PREPARATION

The Mesa click pen has a single tube measuring 2-1/4". **Cut** your blank approximately 1/16" longer than the tube to allow for squaring with the barrel trimmer. Use a medium drill speed to **drill** the blank. Raise the bit from the blank every 1/4" to 1/2" to allow the chips to clear from the flutes of the drill bit. Don't force the drill bit; use an even pressure and let the bit do the work. After drilling the blank, **sand** the exterior of the brass tube to roughen its surface and use CA **glue** to glue the tube inside the blank. Sand or barrel trim to **square** the ends of the blank.

TURNING THE PEN

Set up the mandrel as shown in Diagram C. The Mesa pen's upper and lower bushings both have an outside diameter of .470" (see Diagram B). **Turn** the pen blank to the bushing diameter at the ends. **Sand** with abrasives and **finish** with your choice of polish.

Diagram B - Bushings



ASSEMBLY

(Line up finished parts according to Diagram A)
To avoid damage to components when assembling, use a vise with covered jaws or one of WoodTurningz' pen presses.

1. Insert largest of the three plastic pieces (3) into the clip/cap assembly (end with internal ribs first).
2. Press clip/cap assembly into pen barrel.
3. a. Unscrew center band from tip assembly
b. Press non-threaded end of center band into the other end of the pen barrel.
4. a. Insert smaller plastic piece (1) into the plastic piece with threaded end (2) [see Diagram A]
b. Drop adjoined plastic click pieces into center band end (small, threaded end first)
c. Insert refill behind plastic pieces to hold in place
d. Invert pen so clip/cap assembly is in an upright position.
e. Place the larger diameter, click spring into the clip/cap assembly over the plastic piece (2).
f. Thread plunger onto the threaded plastic piece.
5. a. Invert completed assembly and insert refill in proper orientation.
b. Place refill spring over the end of refill with large diameter first.
NOTE: Click mechanism will not function if refill spring is placed on with the narrow diameter first.
6. Screw on nib section. Your Mesa click pen is now complete.

Diagram C - Turning the Pen

